

ZIGBEE POWER SWITCH S2(-R)
REFERENCE MANUAL



Thank you for purchasing the ubisys power switch S2, a ZigBee dual load switch with integrated smart meter.

You have decided for a high-quality product with first-rate support!

This reference manual provides operating and maintenance instructions, interface specifications, command references and more. It is primarily intended for system integrators, not end-users.

An installation guide specific to your region is available as a separate document and is included in printed form in the product package.

If you have any questions or need additional support, please visit the support pages that best fit your background:

If you are a consumer (private household) or installer, please visit the Smart Home support pages at <http://www.ubisys.de/en/smarthome/support.html> for contact details.

As a commercial customer, please visit the Engineering support pages at <http://www.ubisys.de/en/engineering/support.html> for contact details.

2. Contents

1. Overview	2
2. Contents	3
3. Features	5
4. Installation	6
4.1. Mains Powered Operation	6
4.2. Low-Voltage Operation (Maintenance and Early System Integration Stages only)	6
5. Initial Device Start-up	7
6. Man-Machine Interface (MMI)	8
6.1. Power-Cycle Sequencing Factory Reset	9
7. ZigBee Interface	10
7.1. Application Endpoint #0 – ZigBee Device Object	12
7.2. Application Endpoint #1 – On/off Output #1	13
7.2.1. Basic Cluster (Server)	13
7.2.2. Identify Cluster (Server)	13
7.2.3. Groups Cluster (Server)	14
7.2.4. Scenes Cluster (Server)	14
7.2.5. On/off Cluster (Server)	15
7.3. Application Endpoint #2 – On/off Output #2	16
7.3.1. Basic Cluster (Server)	16
7.3.2. Identify Cluster (Server)	16
7.3.3. Groups Cluster (Server)	17
7.3.4. Scenes Cluster (Server)	17
7.3.5. On/off Cluster (Server)	18
7.4. Application Endpoint #3 – Primary Level Control Switch	19
7.4.1. Basic Cluster (Server)	19
7.4.2. Identify Cluster (Server)	19
7.4.3. Scenes Cluster (Client)	19
7.4.4. On/off Cluster (Client)	20
7.4.5. Level Control Cluster (Client)	20
7.5. Application Endpoint #4 – Secondary Level Control Switch	21
7.5.1. Basic Cluster (Server)	21
7.5.2. Identify Cluster (Server)	21

7.5.3.	Scenes Cluster (Client)	21
7.5.4.	On/off Cluster (Client)	22
7.5.5.	Level Control Cluster (Client)	22
7.6.	Application Endpoint #5 – Metering	23
7.6.1.	Basic Cluster (Server)	23
7.6.2.	Metering Cluster (Server)	23
7.6.3.	Electrical Measurement Cluster (Server)	24
7.7.	Application Endpoint #232 – Device Management	25
7.7.1.	Basic Cluster (Server)	25
7.7.2.	Identify Cluster (Client)	26
7.7.3.	Commissioning Cluster (Server)	26
7.7.4.	Over-the-Air Upgrade Cluster (Client)	26
7.7.5.	Device Setup Cluster (Server)	26
7.8.	Application Endpoint #242 – ZigBee Green Power	31
7.8.1.	Green Power Cluster (Server)	31
7.8.2.	Green Power Cluster (Client)	32
8.	Physical Dimensions	34
9.	Ordering Information	35
10.	General Terms & Conditions of Business	36
11.	Declaration of Conformity	37
12.	Revision History	38
13.	Contact	39

3. Features

- ZigBee 3.0 Certified Power Switch for two loads with integrated smart meter and ZigBee Router functionality
- Mains Load Switch for 230V~, 2 x 500VA
- Two configurable 230V~ inputs, each pre-configured for operating its mating output locally. Individually reconfigurable as on/off, level control, and scene selector switches for use with momentary or stationary switches
- ZigBee Green Power 2015 Combined Device including Proxy and Sink functionality, support On/off, Level Control and Generic Switches
- Local control even works when the device is not joined to a network (not commissioned yet)
- Supports groups, scenes, bindings, and reporting
- Reliable, unattended, maintenance-free operation;
S2 designed for in-wall flush-mounting,
S2-R designed for DIN rail mounting (fuse cabinet)
- Employs solid state switching elements for highest efficiency and durability
- Made in Germany using high-quality, enduring parts for many years of life expectancy
- Low power dissipation: 0.3W
- On-board MCU: Advanced 32-bit ARM micro-controller running at 48MHz with 64KB SRAM
- On-board PHY: Texas Instruments CC2520, 5dBm transmit power, -98dBm receiver sensitivity
- On-board inverted-F antenna
- Leverages ubisys IEEE 802.15.4 MAC and ZigBee stack for best-in-class reliability and performance
- Supports all channels in the 2.4 GHz band, i.e. channels 11-26 as per IEEE 802.15.4:
Primary = { 11, 15, 20, 25 }; Secondary = { 12, 13, 14, 16, 17, 18, 19, 21, 22, 23, 24, 26 }
- Supports joining centralized and distributed security networks as router
- Supports forming simple centralized security networks as Coordinator and Trust Center
- Supports forming distributed security networks as router
- Three pre-configured Trust Center Link-Keys for joining:
 - o Global Default Trust Center Link-Key ("ZigBeeAlliance09")
 - o ZigBee 3.0 Global Distributed Security Link-Key¹
 - o Device-individual link-key derived from installation code – also printed as text and QR barcode
- Extended neighbour table with up to 78 entries for routers and end-devices - more than three times the capacity required by the standard (25)
- Extended routing table with up to 96 entries for ad hoc and many-to-one routes - nearly ten times the capacity required by the standard (10)
- Extended buffering for sleeping end-devices with up to 24 buffers - 24 times the capacity required by the standard (1)
- Extended APS duplicate rejection table with up to 64 slots - 64 times the capacity required by the standard (1)
- Extensive transmit and receive queues for optimum through-put and minimum packet drop rate
- Reliable and scalable network-wide broadcasts featuring passive acknowledgments
- Reliable packet forwarding with automatic network-level retries
- Very sophisticated routing algorithm for reliable ad hoc routing – avoids routing loops even in case of concurrent route requests with overlapping source/destination
- Firmware upgradable over-the-air during normal operation using ZigBee OTA Upgrade Cluster
- Man-Machine-Interface: A push-button and a LED for network steering, factory reset etc.
- Flame retardant housing (V-0); black, RAL 9005

¹ Since application firmware 1.07. Prior, pre-certification key (D0:...:DF)

4.1. Mains Powered Operation

Please refer to the hardware installation guide, which was included in the product package. It provides detailed installation instructions.

4.2. Low-Voltage Operation (Maintenance and Early System Integration Stages only)

Instead of applying dangerous mains voltage to the load switch S2, you may connect a low-voltage DC source (e.g. 12V=, 24V=, 48V=) to the supply lines of S2. Its built-in universal power supply is able to operate from both kinds of supplies, direct and alternating current. This can be useful during maintenance or early stages of system integration. In this mode, the ZigBee interface is operational and you can run OTA firmware upgrades, for example. However, the inputs and outputs are non-operational and attempting to switch the output can result in a reboot, because the device detects a malfunction.

For DC operation (laboratory use), connect the DC ground (0V, "minus", negative) of your power supply to the phase input of S2 (marked "L", brown) and the DC supply voltage (12...48VDC, "plus", positive) to the neutral input of S2 (marked "N", blue). Once powered, you should observe the normal device start-up behaviour (the green LED will flash a few times).

If you are not using a safe low-voltage power-supply, utilizing the services of a professional installer/electrician is imperative.

5. Initial Device Start-up

The device will search for an open ZigBee network to join when you first apply power to it.

Open the ZigBee network for joining and then power-up the device.

S2 will blink quickly to indicate a search in progress. Once a search cycle is complete it will either blink five times slowly to indicate it has joined a network, or blink three times quickly to indicate a joining failure – for example no network found, not permitted onto the network, etc. It will continue to search for a network in case of failure.

Subsequently, when the device is power-cycled, it will blink five times slowly to indicate it is operating as a router on the network, ten times slowly to indicate that it is operating as a coordinator and trust center or blink quickly to indicate it is searching for a network to join. When commissioned, the router's LED will remain off after the five/ten blink cycles during normal operation. Afterwards, it will turn on only for as long as it is permitting other devices to join the network.

After reboot, if the device is properly commissioned, it resumes operation doing a "silent rejoin", i.e. it does not broadcast a device announcement in this case. After joining a network, the device will prolong the joining window by three minutes via a fresh ZDO permit joining request².

² Stretching the joining duration is done in products with ubisys ZigBee Stack version 1.48 or above.

S2 offers a push-button behind a tiny hole in the front-face of the device, as well as a LED right next to it³. This man-machine interface provides access to a menu. In addition, it provides a handy shortcut to factory reset the device⁴.

To factory reset the device, keep the button pressed for approximately 10 seconds until the LED starts to flash. This is equivalent to selecting menu item #5.

Notice that the device also supports a power-cycle sequencing factory reset as detailed in section 6.1.

To enter the menu, press and hold the push-button for more than a second until you see three short flashes followed by a sequence of one blink, pause, one blink, pause, etc. This indicates that you have successfully entered the menu. With each short button press (less than a second), you advance through the menu. For example, pressing the button once brings you to the second menu item, which S2 indicates by two blinks, pause, two blinks pause, etc. Once you have reached the menu item that you want to run, press and hold the button for more than a second to execute the selected item. The exact meaning of each menu item depends on the particular device and may vary from firmware version to firmware version.

This is the menu for Power Switch S2 running firmware version 1.03 and above⁵:

Menu Item #	Operation
1	ZigBee Commissioning: Network Steering While in this mode a single press on the button instigates ZigBee Network Steering (“EZ-mode”). If the device is on a network it will open the network for new devices for three minutes, otherwise it will attempt to join an open network. If the network is already open, the device will close the network instead such that repetitive presses toggle the network permit joining state. The LED is on, when the network is open for new devices, and off otherwise.
2	ZigBee Commissioning: Finding & Binding Instigates the ZigBee Finding & Binding procedure (“EZ-mode”) on an initiator or target endpoint. Target endpoints will enter identify mode for three minutes. Initiator endpoints will query targets and create suitable bindings to these targets. After leaving the menu in this mode, the first button press starts the selection of the endpoint and each subsequent press (within half a second) increments the endpoint number. Once the desired endpoint is reached, wait for the LED to blink the selected number of times. Then, press a single time to accept the selection or wait for three seconds to cancel the command. The LED will blink one time to confirm an affirmative choice, or two times to indicate the request has been cancelled.
3	ZigBee Commissioning: Clear Bindings Clears bindings on an initiator endpoint. Select this menu item and leave menu mode. Afterwards the device expects the selection of an initiator endpoint. The first button press starts the selection of the endpoint and each subsequent press (within half a second) increments the endpoint number. Once the desired endpoint is reached, wait for the LED to blink the selected number of times. Then, press a single time to accept the selection or wait for three seconds to cancel the command. The LED will blink one time to confirm an affirmative choice, or two times to indicate the request has been cancelled. This mode is active for one round only. Afterwards the device reverts to mode #1.
4	ZigBee Commissioning: Set Device Role and Factory Reset Selects the ZigBee device role for this device on the network, resets the remaining settings to factory defaults and restarts the device. Select this menu item and leave menu mode. Afterwards the device expects the selection of an option. The first button press starts the selection of the option and each

³ The high-voltage inputs of S2/S2-R do not count as an MMI feature.

⁴ The 10-second-press factory reset (equivalent to menu item #5) is available since firmware version 1.04.

⁵ Notice: Prior versions have different menu items. Only the factory reset command (menu item #5) is identical across all released versions of the firmware.

	subsequent press (within half a second) increments the option number. Once the desired option is reached, wait for the LED to blink the selected number of times. Then, press a single time to accept the selection or wait for three seconds to cancel the command. The LED will blink one time to confirm an affirmative choice, or two times to indicate the request has been cancelled. The following options are available: Option #1: Join an existing ZigBee network as router Option #2: Form a new distributed security network as the first router Option #3: Form a new centralized security network as the coordinator and trust center
5	Factory Reset Put the device into the same state as it was when it left the factory, then reboot. The only exception is the outgoing network security frame counter, which is preserved across factory resets. The device will broadcast a network leave indication. ⁶
6	ZigBee Commissioning: Advanced Commands Provides a number of advanced ZigBee commissioning command options. Select this menu item and leave menu mode. Afterwards the device expects the selection of an option. The first button press starts the selection of the option and each subsequent press (within half a second) increments the option number. Once the desired option is reached, wait for the LED to blink the selected number of times. Then, press a single time to accept the selection or wait for three seconds to cancel the command. The LED will blink one time to confirm an affirmative choice, or two times to indicate the request has been cancelled. The following options are available: Option #1: Perform a simple reset (reboot), then continue operating seamlessly (silent re-join) Option #2: Perform a simple reset (reboot), then re-join the network Option #3: Perform a full factory reset, including security frame counters and preserved settings
7	Reserved for internal use. Do not leave the menu in this mode.

6.1. Power-Cycle Sequencing Factory Reset

It is possible to instigate a factory reset using a special power-cycle sequence⁷. This is equivalent to selecting menu item #5, with the advantage that you need no access to the device itself (only to its power supply).

1. Power the device for at least four seconds.
2. Interrupt the power supply for at least a second.
3. Reapply power for less than two seconds but more than half a second.
Notice that at the end of this cycle, the device is off and should remain off for at least a second.
4. Repeat the previous step two more times, for a total of three short power cycles.
5. Apply power to the device and leave it powered on.

The device will now factory reset and reboot.

⁶ Since application firmware 1.05. Previously, the factory reset would result in a silent leave.

⁷ Since application firmware 1.08

7. ZigBee Interface

Please refer to the following IEEE and ZigBee Alliance documents, which apply to this product:

[R1] IEEE Standard 802 – Part 15.4: Low-Rate Wireless Personal Area Networks (LR-WPANs)

[R2] ZigBee Specification, Revision 21, Document No. 05-3474-21

[R3] ZigBee 2015 Layer PICS and Stack Profiles, Revision 6, Document No. 08-0006-06

[R4] ZigBee Cluster Library Specification, Revision 5, Document No. 07-5123-05

[R5] ZigBee Home Automation Public Application Profile 1.2, Revision 29, Document No. 05-3520-29

[R6] ZigBee Smart Energy Standard 1.1b, Revision 18, Document No. 07-5356-18

Device Anatomy

The power switch S2 provides on/off control for two individual load outputs for a rated voltage of 230V~/50Hz and an apparent power of 500VA per output, for a total switching capability of 1.000VA, which matches a vast number of use cases in most EMEA countries. The solid state switching elements do not produce any audible noise when switching on or off. S2 also provides an integrated smart meter, which is capable of measuring active power, reactive power, apparent power, voltage, current and frequency⁸ aggregated for both outputs. In addition, two high-voltage inputs are available for local control or remote control of other on/off target devices or groups. Being a mains-powered device, S2(-R) also acts as a ZigBee router improving network connectivity and meshing capabilities as well as serving as a connection point (“parent”) for sleeping end-devices.

S2 provides seven ZigBee application endpoints:

Endpoint #	Profile	Application
0 (0x00)	0x0000: ZigBee Device Profile	ZigBee Device Object (ZDO) – standard management features
1 (0x01)	0x0104: Common Profile (HA)	On/off output (0x0002). This endpoint provides control of output #1 (red wire in case of S2) via the on/off cluster. It supports groups and scenes, as well as reporting for on/off state feedback. The identify cluster allows for push-button commissioning as a target.
2 (0x01)	0x0104: Common Profile (HA)	On/off output (0x0002). This endpoint provides control of output #2 (black wire in case of S2) via the on/off cluster. It supports groups and scenes, as well as reporting for on/off state feedback. The identify cluster allows for push-button commissioning as a target.
3 (0x02)	0x0104: Common Profile (HA)	Level Control Switch (0x0001). This endpoint is used to transmit on/off or level control commands triggered by any of the local high-voltage inputs.
4 (0x03)	0x0104: Common Profile (HA)	Level Control Switch (0x0001). This endpoint is used to transmit on/off or level control commands triggered by any of the local high-voltage inputs.
5 (0x05)	0x0104: Common Profile (HA) ⁹	Metering (0x0702). This endpoint provides metering and electrical measurement clusters to measure power, energy, voltage, current, and other figures.
200 (0xC8)	Private	Private. This endpoint contains a legacy private application and provided for backwards-compatibility, only. This feature is deprecated and will be removed in a future firmware release after a grace period.
232 (0xE8)	0x0104: Common Profile (HA)	Device Management (0x0502) ¹⁰

⁸ More advanced features like waveform sampling, total harmonic distortion and other quality figures available upon request

⁹ Since application version 1.02 (S2), or 1.01 (S2-R), respectively. Prior, profile ID 0x0109 (Smart Energy) was used.

¹⁰ Since application version 1.02 (S2), or 1.01 (S2-R), respectively. Prior, device ID 0x0008 (Range Extender) was used.

The ubisys ZigBee manufacturer ID is 0x10F2. This manufacturer code is used to identify OTA upgrade images, for accessing manufacturer-specific ZCL attributes and commands etc.

Installation Code

This power switch has a pre-configured link key, which is derived from the installation code printed on the back of the unit's housing in text format and as a two-dimensional barcode (QR code). The format specified in [R6], section 5.4.8.1.1 is used with a full 128-bit installation code + 16-bit CRC. The QR code contains additional information as illustrated in the following example:

```
ubisys2/R0/001FEE00000000FF/0F7C1CD805F91649EBA84580AA1CB432F51A/21
```

Here, "ubisys2" is the data format identifier, R0 is the model string (this is just an example, it would be "S2" or "S2-R" for this product), followed by the EUI-64, the installation code, and a checksum that covers the entire information (including model, EUI-64 and installation code), all separated by a single dash character ('/'). The check sum is an unsigned 8-bit integer, which is calculated by performing a byte-wise exclusive-or (XOR, "⊕") of the ASCII characters of the model string, the binary representation of the EUI-64 (in big endian format), and the binary representation of the install code.

For the example above, this calculation yields:

```
52 ('R') ⊕ 30 ('0') ⊕
00 ⊕ 1F ⊕ EE ⊕ 00 ⊕ 00 ⊕ 00 ⊕ 00 ⊕ FF ⊕
0F ⊕ 7C ⊕ 1C ⊕ D8 ⊕ 05 ⊕ F9 ⊕ 16 ⊕ 49 ⊕ EB ⊕ A8 ⊕ 45 ⊕ 80 ⊕ AA ⊕ 1C ⊕ B4 ⊕ 32 ⊕ F5 ⊕ 1A = 21
```

Notice: The data format "ubisys1" is identical to "ubisys2" except for the check sum, which is present, but invalid. If you encounter "ubisys1" labels, then do not verify the trailing check sum field.

¹¹ Since application version 1.06.

7.1. Application Endpoint #0 – ZigBee Device Object

Please refer to the ZigBee Specification [R2] for details on the ZigBee Device Object (ZDO) and the protocol used for over-the-air communication, called the ZigBee Device Profile (ZDP). Notice that the ZDP is fundamentally different from typical application endpoints, which build on the ZigBee foundation framework and the ZigBee Cluster Library (ZCL).

The ubisys ZigBee Power Switch S2/S2-R supports the following ZDO services:

Primitive	Description
nwk_addr_req/ nwk_addr_rsp	Network address request/response Translates a 64-bit IEEE address into a 16-bit network short address. Use only when really required, because this message employs a network-wide broadcast (flooding)
ieee_addr_req/ ieee_addr_rsp	IEEE address request/response Translates a 16-bit network short address into a 64-bit IEEE address.
node_desc_req/ node_desc_rsp	Node descriptor request/response Returns information such as the manufacturer ID, power supply, etc.
power_desc_req/ power_desc_rsp ¹²	Power descriptor request/response Returns information such as the power source and mode.
active_ep_req/ active_ep_rsp	Active endpoints request/response Returns a set of available application endpoints on the device.
simple_desc_req/ simple_desc_rsp	Simple descriptor request/response Returns a descriptor for a certain application endpoint with a list of available services (clusters).
match_desc_req/ match_desc_rsp	Match descriptor request/response Searches for a certain cluster or set of clusters and returns the matching endpoints, if any.
device_annce	Device announcement Advertises the presence of a new device in the network.
parent_annce/ parent_annce_rsp ¹³	Parent announcement/response This is part of the ZigBee 2015 end-device child management feature.
system_server_discovery_req/ system_server_discovery_rsp ¹⁴	System server discovery request/response Provides the ability to discover system servers, in particular the network manager.
bind_req/ bind_rsp	Bind request/response Creates an application binding
unbind_req/ unbind_rsp	Unbind request/response Removes an application binding
mgmt_nwk_disc_req/ mgmt_nwk_disc_rsp ¹⁵	Management: Network discovery request/response Instructs the device to perform a network discovery and report the results back.
mgmt_lqi_req/ mgmt_lqi_rsp	Management: Neighbor table request/response Returns information about neighboring devices, including the link quality, device type etc.
mgmt_rtg_req/ mgmt_rtg_rsp	Management: Routing table request/response Returns information about routes established on the device.
mgmt_bind_req/ mgmt_bind_rsp	Management: Binding table request/response Returns information about application bindings on the device.
mgmt_leave_req/ mgmt_leave_rsp	Management: Leave request/response Makes the device leave the network or removes one of its end-device children.
mgmt_permit_joining_req/ mgmt_permit_joining_rsp	Management: Permit joining request/response Opens the network for new devices to join.
mgmt_nwk_update_req/ mgmt_nwk_update_notify ¹⁶	Management: Network update request/response/notification Performs energy scans, instigates a channel change or assigns the network manager.

¹² Available in ZigBee stack version 1.60 and above. Legacy ZCP requirement – do not use in applications

¹³ Available in ZigBee stack version 1.56 and above.

¹⁴ Available in ZigBee stack version 1.50 and above.

¹⁵ Available in ZigBee stack version 1.61 and above.

¹⁶ Available in ZigBee stack version 1.61 and above.

7.2. Application Endpoint #1 – On/off Output #1

Use this application endpoint to control the load output, which is marked with a wave crossed by an arrow, tagged with a “1”. In case of S2, this is the red wire.

This is a Finding & Binding target endpoint.

The application endpoint exposes the following clusters:

Cluster	Direction	Description
0x0000	Inbound (Server)	Basic Provides basic information about the device, such as the manufacturer ID, vendor and model name, stack profile, ZCL version, production date, hardware revision etc. Allows a factory reset of attributes, without the device leaving the network.
0x0003	Inbound (Server)	Identify Allows to put the endpoint into identify mode. Useful for identifying/locating devices and required for Finding & Binding.
0x0004	Inbound (Server)	Groups Allows adding this endpoint to one or more groups. Afterwards the endpoint can be addressed using the group address. This is also a prerequisite for scenes. You may also query group membership and delete group associations.
0x0005	Inbound (Server)	Scenes Allows storing one or more scenes per group, where each scene consists of a pre-set on/off state value. You may either store the current values as a scene, or provide scene settings when adding a scene, or delete scenes.
0x0006	Inbound (Server)	On/off Provides control of the output #1 (red wire on S2)

7.2.1. Basic Cluster (Server)

Please refer to section 7.7.1 for details.

7.2.2. Identify Cluster (Server)

In identify mode, the output relay will be toggled once every second.

Caution: Make sure the attached load can handle this switching rate or physically disconnect the load!

Attributes supported:

Attribute	Type	Description
0x0000	unsigned16	IdentifyTime The remaining time, in seconds, the device will be identifying itself. Notice that S2 currently does not provide any visual feedback in identify mode.

Cluster commands supported:

Command	Description
0x00	Identify Puts the device into identify mode, or terminates identify mode.

0x01	Query Identify	Determines whether the device is currently identifying, and returns the remaining time if so.
------	-----------------------	---

7.2.3. Groups Cluster (Server)

Attributes supported:

Attribute	Type	Description
0x0000	bitmap8, read-only	NameSupport Always set to 0: This implementation does not support storing names for groups.

Cluster commands supported:

Command	Description
0x00	Add Group Adds the endpoint to a group.
0x01	View Group Determines whether the device belongs to a group and returns the group name, if supported.
0x02	Get Group Membership Returns the set of groups this endpoint belongs to.
0x03	Remove Group Removes this endpoint from the specified group. Also removes all scenes that refer to this group.
0x04	Remove All Groups Removes this endpoint from all groups. Also removes all scenes that refer to any of the existing groups.
0x05	Add Group if Identifying Adds this endpoint to the group, if the endpoint is identifying.

7.2.4. Scenes Cluster (Server)

Attributes supported:

Attribute	Type	Description
0x0000	unsigned8, read-only	SceneCount Holds the total number of scenes (across all groups) currently stored on the device.
0x0001	unsigned8, read-only	CurrentScene If the SceneValid attribute is true, this attribute, together with the CurrentGroup attribute, indicates the currently active scene.
0x0002	unsigned8, read-only	CurrentGroup If the SceneValid attribute is true, this attribute, together with the CurrentScene attribute, indicates the currently active scene.
0x0003	bool, read-only	SceneValid If true, the scene identified by CurrentGroup and CurrentScene is currently active, i.e. all device attribute values match the values in the scene field set.
0x0004	bitmap8, read-only	NameSupport Always set to 1: This implementation does support storing names for scenes.

Cluster commands supported:

Command	Description
0x00	Add Scene Adds a scene with or without a scene field set

0x01	View Scene Returns the scene field set, name and transition times for a scene.
0x02	Remove Scene Removes a scene from the scene table.
0x03	Remove All Scenes Removes all scenes that belong to a particular group.
0x04	Store Scene Stores the device's current state as a scene or updates a previously stored scene accordingly.
0x05	Recall Scene Reverts the device's current state using the values from the previously stored field set.
0x06	Get Scene Membership Returns the set of scenes (within the scope of the specified group) currently stored on the device.
0x40	Enhanced Add Scene Similar to Add Scene with higher transition time resolution (10ths of a second instead of once second)
0x41	Enhanced View Scene Similar to View Scene with higher transition time resolution (10ths of a second instead of once second)
0x42	Copy Scene Copies a scene in a single operation as an alternative to (Enhanced) View Scene, (Enhanced) Add Scene

7.2.5. On/off Cluster (Server)

Notice: This cluster uses the binding table for managing reporting targets. Currently, there is no default reporting configuration in place, so you need to configure reporting, if you want to receive feedback on state changes.

Attributes supported:

Attribute	Type	Description
0x0000	bool, read-only, reportable	OnOff Indicates the current state of the output switch, either on = 'true' or off = 'false'.

Cluster commands supported:

Command	Description
0x00	Turn off Turns the output off. The attached load will be disconnected from the mains. Caution: There might still be high voltage at the output if it is freewheeling, because of the finite impedance of the on-board solid state switching element.
0x01	Turn on Turns the output on. The attached load will be connected to the mains.
0x02	Toggle Turns the output off, if it was turned on or turns the output on, if it was turned off. Caution: Even if toggled off, there might still be high voltage at the output if it is freewheeling, because of the finite impedance of the on-board solid state switching element.

7.3. Application Endpoint #2 – On/off Output #2

Use this application endpoint to control the load output, which is marked with a wave crossed by an arrow, tagged with a “2”. In case of S2, this is the black wire.

This is a Finding & Binding target endpoint.

The application endpoint exposes the following clusters:

Cluster	Direction	Description
0x0000	Inbound (Server)	Basic Provides basic information about the device, such as the manufacturer ID, vendor and model name, stack profile, ZCL version, production date, hardware revision etc. Allows a factory reset of attributes, without the device leaving the network.
0x0003	Inbound (Server)	Identify Allows to put the endpoint into identify mode. Useful for identifying/locating devices and required for Finding & Binding.
0x0004	Inbound (Server)	Groups Allows adding this endpoint to one or more groups. Afterwards the endpoint can be addressed using the group address. This is also a prerequisite for scenes. You may also query group membership and delete group associations.
0x0005	Inbound (Server)	Scenes Allows storing one or more scenes per group, where each scene consists of a pre-set on/off state value. You may either store the current values as a scene, or provide scene settings when adding a scene, or delete scenes.
0x0006	Inbound (Server)	On/off Provides control of the output #2 (black wire on S2)

7.3.1. Basic Cluster (Server)

Please refer to section 7.7.1 for details.

7.3.2. Identify Cluster (Server)

In identify mode, the output relay will be toggled once every second.

Caution: Make sure the attached load can handle this switching rate or physically disconnect the load!

Attributes supported:

Attribute	Type	Description
0x0000	unsigned16	IdentifyTime The remaining time, in seconds, the device will be identifying itself. Notice that S2 currently does not provide any visual feedback in identify mode.

Cluster commands supported:

Command	Description
0x00	Identify Puts the device into identify mode, or terminates identify mode.

0x01	Query Identify Determines whether the device is currently identifying, and returns the remaining time if so.
------	--

7.3.3. Groups Cluster (Server)

Attributes supported:

Attribute	Type	Description
0x0000	bitmap8, read-only	NameSupport Always set to 0: This implementation does not support storing names for groups.

Cluster commands supported:

Command	Description
0x00	Add Group Adds the endpoint to a group.
0x01	View Group Determines whether the device belongs to a group and returns the group name, if supported.
0x02	Get Group Membership Returns the set of groups this endpoint belongs to.
0x03	Remove Group Removes this endpoint from the specified group. Also removes all scenes that refer to this group.
0x04	Remove All Groups Removes this endpoint from all groups. Also removes all scenes that refer to any of the existing groups.
0x05	Add Group if Identifying Adds this endpoint to the group, if the endpoint is identifying.

7.3.4. Scenes Cluster (Server)

Attributes supported:

Attribute	Type	Description
0x0000	unsigned8, read-only	SceneCount Holds the total number of scenes (across all groups) currently stored on the device.
0x0001	unsigned8, read-only	CurrentScene If the SceneValid attribute is true, this attribute, together with the CurrentGroup attribute, indicates the currently active scene.
0x0002	unsigned8, read-only	CurrentGroup If the SceneValid attribute is true, this attribute, together with the CurrentScene attribute, indicates the currently active scene.
0x0003	bool, read-only	SceneValid If true, the scene identified by CurrentGroup and CurrentScene is currently active, i.e. all device attribute values match the values in the scene field set.
0x0004	bitmap8, read-only	NameSupport Always set to 1: This implementation does support storing names for scenes.

Cluster commands supported:

Command	Description
0x00	Add Scene Adds a scene with or without a scene field set

0x01	View Scene Returns the scene field set, name and transition times for a scene.
0x02	Remove Scene Removes a scene from the scene table.
0x03	Remove All Scenes Removes all scenes that belong to a particular group.
0x04	Store Scene Stores the device's current state as a scene or updates a previously stored scene accordingly.
0x05	Recall Scene Reverts the device's current state using the values from the previously stored field set.
0x06	Get Scene Membership Returns the set of scenes (within the scope of the specified group) currently stored on the device.

7.3.5. On/off Cluster (Server)

Notice: This cluster uses the binding table for managing reporting targets. Currently, there is no default reporting configuration in place, so you need to configure reporting, if you want to receive feedback on state changes.

Attributes supported:

Attribute	Type	Description
0x0000	bool, read-only, reportable	OnOff Indicates the current state of the output switch, either on = 'true' or off = 'false'.

Cluster commands supported:

Command	Description
0x00	Turn off Turns the output off. The attached load will be disconnected from the mains. Caution: There might still be high voltage at the output if it is freewheeling, because of the finite impedance of the on-board solid state switching element.
0x01	Turn on Turns the output on. The attached load will be connected to the mains.
0x02	Toggle Turns the output off, if it was turned on or turns the output on, if it was turned off. Caution: Even if toggled off, there might still be high voltage at the output if it is freewheeling, because of the finite impedance of the on-board solid state switching element.

7.4. Application Endpoint #3 – Primary Level Control Switch

This is a Finding & Binding initiator endpoint.

7.4.1. Basic Cluster (Server)

Please refer to section 7.7.1 for details.

7.4.2. Identify Cluster (Server)

Notice: The identify cluster instance on this endpoint does not provide any visual or audible feedback. It is mainly present to comply with standards requirements.

Attributes supported:

Attribute	Type	Description
0x0000	unsigned16	IdentifyTime The remaining time, in seconds, the device will be identifying itself. Notice that S2 currently does not provide any visual feedback in identify mode.

Cluster commands supported:

Command	Description
0x00	Identify Puts the device into identify mode, or terminates identify mode.
0x01	Query Identify Determines whether the device is currently identifying, and returns the remaining time if so.

7.4.3. Scenes Cluster (Client)

This cluster is available on devices running firmware version 1.03 and above.

Notice: This cluster does not use the binding table for managing command targets. Instead, recall scene command templates include the group address and scene number to recall. The device setup cluster on the Device Management endpoint can be used to configure the behavior of the cluster, i.e. which identifiers will be sent in the message body, when the input state changes. Using the device setup cluster, you can configure this endpoint either to be used with a push-button or a switch.

This cluster instance is intended for recalling scenes on the local and/or remote devices using the local inputs and is not bound when factory fresh.

Cluster commands transmitted:

Command	Description
0x05	Recall Scene Recalls a scene. The group address in the recall scene command payload is also used as the target for the command.

7.4.4. On/off Cluster (Client)

Notice: This cluster uses the binding table for managing command targets. When factory fresh, this cluster is bound to endpoint #1 to enable local control. This works even when the device is not commissioned yet. In addition, the device setup cluster on the Device Management endpoint can be used to configure the behavior of the cluster, i.e. which of the commands mentioned below will actually be sent, when the input state changes. Using the device setup cluster, you can configure this endpoint either to be used with a push-button (momentary switch, one stable position) or a rocker switch (two stable positions).

Cluster commands transmitted:

Command	Description
0x00	Turn off Turns the target device or group of devices off.
0x01	Turn on Turns the target device or group of devices on.
0x02	Toggle Toggles the target device state. Should not be used to control groups.

7.4.5. Level Control Cluster (Client)

Notice: This cluster uses the binding table for managing command targets. In addition, the device setup cluster on the Device Management endpoint can be used to configure the behavior of the cluster, i.e. which of the commands mentioned below will actually be sent, when the input state changes. Using the device setup cluster, you can configure this endpoint either to be used with one or two push-buttons.

This cluster instance is intended for controlling remote dimmers using the local inputs and is not bound when factory fresh.

Cluster commands transmitted:

Command	Description
0x05	Move with on/off Moves the level either up or down at a specified rate. Maintains the companion on/off cluster's OnOff attribute.
0x07	Stop with on/off Stops any level change in progress due to a move, move to level, step or recall scene command. Maintains the companion on/off cluster's OnOff attribute.

7.5. Application Endpoint #4 – Secondary Level Control Switch

This is a Finding & Binding initiator endpoint.

7.5.1. Basic Cluster (Server)

Please refer to section 7.7.1 for details.

7.5.2. Identify Cluster (Server)

Notice: The identify cluster instance on this endpoint does not provide any visual or audible feedback. It is mainly present to comply with standards requirements.

Attributes supported:

Attribute	Type	Description
0x0000	unsigned16	IdentifyTime The remaining time, in seconds, the device will be identifying itself. Notice that S2 currently does not provide any visual feedback in identify mode.

Cluster commands supported:

Command	Description
0x00	Identify Puts the device into identify mode, or terminates identify mode.
0x01	Query Identify Determines whether the device is currently identifying, and returns the remaining time if so.

7.5.3. Scenes Cluster (Client)

This cluster is available on devices running firmware version 1.03 and above.

Notice: This cluster does not use the binding table for managing command targets. Instead, recall scene command templates include the group address and scene number to recall. The device setup cluster on the Device Management endpoint can be used to configure the behavior of the cluster, i.e. which identifiers will be sent in the message body, when the input state changes. Using the device setup cluster, you can configure this endpoint either to be used with a push-button or a switch.

This cluster instance is intended for recalling scenes on the local and/or remote devices using the local inputs and is not bound when factory fresh.

Cluster commands transmitted:

Command	Description
0x05	Recall Scene Recalls a scene. The group address in the recall scene command payload is also used as the target for the command.

7.5.4. On/off Cluster (Client)

Notice: This cluster uses the binding table for managing command targets. When factory fresh, this cluster is bound to endpoint #2 to enable local control. This works even when the device is not commissioned yet. In addition, the device setup cluster on the Device Management endpoint can be used to configure the behavior of the cluster, i.e. which of the commands mentioned below will actually be sent, when the input state changes. Using the device setup cluster, you can configure this endpoint either to be used with a push-button (momentary switch, one stable position) or a rocker switch (two stable positions).

Cluster commands transmitted:

Command	Description
0x00	Turn off Turns the target device or group of devices off.
0x01	Turn on Turns the target device or group of devices on.
0x02	Toggle Toggles the target device state. Should not be used to control groups.

7.5.5. Level Control Cluster (Client)

Notice: This cluster uses the binding table for managing command targets. In addition, the device setup cluster on the Device Management endpoint can be used to configure the behavior of the cluster, i.e. which of the commands mentioned below will actually be sent, when the input state changes. Using the device setup cluster, you can configure this endpoint either to be used with one or two push-buttons.

This cluster instance is intended for controlling remote dimmers using the local inputs and is not bound when factory fresh.

Cluster commands transmitted:

Command	Description
0x05	Move with on/off Moves the level either up or down at a specified rate. Maintains the companion on/off cluster's OnOff attribute.
0x07	Stop with on/off Stops any level change in progress due to a move, move to level, step or recall scene command. Maintains the companion on/off cluster's OnOff attribute.

7.6. Application Endpoint #5 – Metering

The metering endpoint provides information about energy consumption, instantaneous power, voltage, current, frequency, etc. This can be extended – upon customer request – with even more advanced features like waveform sampling, total harmonic distortion, or other quality measures.

On S2 and S2-R, the metering endpoint provides aggregated (total) values for both outputs, e.g. when the first load draws 50W, and the second draws 100W, the on-board smart meter will measure 150W.

The application endpoint exposes the following clusters:

Cluster	Direction	Description
0x0000	Inbound (Server)	Basic Provides basic information about the device, such as the manufacturer ID, vendor and model name, stack profile, ZCL version, production date, hardware revision etc. Allows a factory reset of attributes, without the device leaving the network.
0x0702	Inbound (Server)	Metering Provides metering information regarding energy and power.
0x0B04	Inbound (Server)	Electrical Measurement Provides electrical measurement figures, for example line frequency, active power, reactive power, apparent power, RMS voltage, RMS current, power factor, etc.

7.6.1. Basic Cluster (Server)

Please refer to section 7.7.1 for details.

7.6.2. Metering Cluster (Server)

Notice: This cluster uses the binding table for managing reporting targets. Currently, there is no default reporting configuration in place, so you need to configure reporting, if you want to receive feedback on energy/power changes.

Attributes supported:

Attribute	Type	Description
0x0000	unsigned48, read-only	CurrentSummationDelivered Indicates the current amount of electrical energy delivered to the load.
0x0001	unsigned48, read-only	CurrentSummationReceived Indicates the current amount of electrical energy generated by the attached device.
0x0002	unsigned48, read-only	CurrentMaxDemandDelivered Indicates the peak electrical power delivered to the load.
0x0003	unsigned48, read-only	CurrentMaxDemandReceived Indicates the peak electrical power generated by the attached device.
0x0200	bitmap8, read-only	Status Flags indicating current device status.
0x0300	enum8, read-only	UnitOfMeasure This is always kW.
0x0400	signed24, read-only, reportable	InstantaneousDemand The power currently delivered to the attached load, in Watts. A negative value indicates power generated by the attached device.

7.6.3. Electrical Measurement Cluster (Server)

Notice: This cluster uses the binding table for managing reporting targets. Currently, there is no default reporting configuration in place, so you need to configure reporting, if you want to receive feedback on state changes.

Attributes supported:

Attribute	Type	Description
0x0000	bitmap32, read-only	MeasurementType Indicates the physical entities that this devices is able to measure.
0x0300	unsigned16, read-only	Frequency The frequency of the measured AC voltage (sine wave), in 0.001 Hz.
0x0304	signed32, read-only	TotalActivePower Total of delivered (positive) or generated (negative) active power, in W.
0x0305	signed32, read-only	TotalReactivePower Total of delivered (positive) or generated (negative) reactive power, in VAR.
0x0306	unsigned32, read-only	TotalApparentPower Total of delivered (positive) or generated (negative) apparent power, in VA.
0x0505	unsigned16, read-only	RMSVoltage (L1) Phase L1: RMS voltage.
0x0508	unsigned16, read-only	RMSCurrent (L1) Phase L1: RMS current.
0x050B	signed16, read-only	ActivePower (L1) Phase L1: Delivered (positive) or generated (negative) active power, in W.
0x050E	signed16, read-only	ReactivePower (L1) Phase L1: Delivered (positive) or generated (negative) reactive power, in VAR.
0x050F	unsigned16, read-only	ApparentPower (L1) Phase L1: Delivered (positive) or generated (negative) apparent power, in VA.
0x0510	signed8, read-only	Powerfactor (L1) Phase L1: Power factor of the attached load, in 0.01 units. Positive values indicate an inductive load (L), negative values a capacitive load (C), close to zero values a resistive load (R) and close to 1.00 purely capacitive/inductive loads.

7.7. Application Endpoint #232 – Device Management

This endpoint provides device management functions using standard ZigBee foundation paradigms and the ZigBee Cluster Library [R4]. You may use the standard ZCL frames to enumerate, read and write attributes, configure attribute reporting, invoke commands, etc.

The application endpoint exposes the following clusters:

Cluster	Direction	Description
0x0000	Inbound (Server)	Basic Provides basic information about the device, such as the manufacturer ID, vendor and model name, stack profile, ZCL version, production date, hardware revision etc. Allows a factory reset of attributes, without the device leaving the network.
0x0003	Outbound (Client) ¹⁷	Identify Allows to identify targets during Finding & Binding push-button commissioning.
0x0015	Inbound (Server)	Commissioning Offers fine-grained commissioning options, for example, configuring a certain short address, channel mask, concentrator setup etc. This cluster is rarely used.
0x0019	Outbound (Client)	OTA Upgrade Pull-oriented firmware upgrade. Searches the network for mating servers and allows the server to control all stages of the upgrade process, including which image to download, when to download, at what rate and when to install the downloaded image.
0xFC00	Inbound (Server)	Device Setup This is a manufacturer-specific cluster used for basic device setup. For example, it can be used to assign physical inputs to endpoints and to control the behaviour of inputs (i.e. permanent switches, push-button switches, normally open vs. normally closed, on/off, level control or scene selection, etc.)

7.7.1. Basic Cluster (Server)

The basic cluster might be accessible via more than one endpoint. Most of its attributes are singleton attributes, i.e. all instances of the cluster share the same attribute value storage.

Attributes supported:

Attribute	Type	Description
0x0000	unsigned8, read-only	ZCLVersion The version of the cluster library
0x0001	unsigned8, read-only	ApplicationVersion The application version
0x0002	unsigned8, read-only	StackVersion The stack version
0x0003	unsigned8, read-only	HWVersion Specifies the hardware revision number
0x0004	string, read-only	ManufacturerName "ubisys"
0x0005	string, read-only	ModelIdentifier "S2 (5502)" or "S2-R (5602)"
0x0006	string, read-only	DateCode "YYYYMMDD-XX-FBV", where YYYY = year, MM = month, DD = day of production (hardware), XX = production facility, V = factory block version. For example, "20130411-DE-FB0" refers to a device built April 11, 2013 in Germany and programmed with factory block format version 0.

¹⁷ Since application version 1.02 (S2), or 1.01 (S2-R), respectively. Prior, the server side of identify was available.

0x0007	enum8, read-only	PowerSource Always set to mains-powered, single phase (regardless of the connected supply voltage)
0x0010	string, persistent	LocationDescription Empty string by default. Might be set by commissioning software during installation
0x0011	unsigned8, persistent	PhysicalEnvironment "Unspecified" by default. Might be set by commissioning software during installation

Cluster commands supported:

Command	Description
0x00	Reset to factory defaults. Restores the values of all attributes of all clusters across all endpoints to their factory fresh default settings. Does not affect network settings or bindings. Notice: In earlier versions, up to and including version 1.04, the command did actually behave like a leave command with factory reset. This command has been deprecated and is no longer supported since version 1.05. Use <code>mgmt_leave_req</code> , instead.

7.7.2. Identify Cluster (Client)

The client side of the identify cluster on this endpoint is used for push-button commissioning.

Cluster commands transmitted:

Command	Description
0x01	Query Identify This command is broadcast during push-button commissioning to identify suitable binding targets. Once target devices are selected, they will be queried for matching descriptors.

7.7.3. Commissioning Cluster (Server)

This implementation supports all attributes and most commands. However, the cluster has limited value. It is rarely used and might be removed in the future.

7.7.4. Over-the-Air Upgrade Cluster (Client)

The image type for S2 is 0x7B03, for S2-R it is 0x7B06. You may request the latest firmware in ZigBee OTA image format to upgrade devices in the field using your own OTA server and back-end. If you operate the power switch S2 together with the ZigBee/Ethernet Gateway ubisys G1, the latest firmware for S2 and S2-R will always be available automatically and you do not need to request it explicitly.

7.7.5. Device Setup Cluster (Server)

This cluster is manufacturer-specific and allows to change advanced device setup options, which are not covered by standard clusters defined in the ZigBee Cluster Library.

Attributes supported:

Attribute	Type	Description
0x0000	array of data8, persistent	InputConfigurations This array of 8-bit data holds exactly one entry per physical device input and allows disabling the input or inverting the “normal” signal level (normally closed vs. normally open).
0x0001	array of raw data, persistent	InputActions This array of raw data strings maps physical inputs to application endpoints on the device (for example, an on/off switch application) and translates level changes to appropriate cluster commands (e.g. on/off/toggle or move/stop).

7.7.5.1. InputConfigurations Attribute

This attribute is an array (ZCL data type 0x48) of 8-bit data (ZCL data type 0x08).

It is readable and writable and retains its value across reboots (persistent storage); when written the size of the attribute is not allowed to change, and the elements must be of the same type “8-bit data” (0x08). Each physical device input line has a one-to-one relation to a slot in this array.

For S2/S2-R this relation is as follows:

Element #	Description
0x0000	Configuration options for high-voltage physical input #1 Defines the configuration for the physical input marked with a switch symbol and the digit “1”. In case of S2, this is the white wire. Factory default value: 0x00
0x0001	Configuration options for high-voltage physical input #2 Defines the configuration for the physical input marked with a switch symbol and the digit “2”. In case of S2, this is the grey wire. Factory default value: 0x00

Each element can take a combination of the following bit flags:

Flag	Bit(s)	Description
Disable	#7 (0x80)	When this bit is set, the input is disabled.
Invert	#6 (0x40)	Determines the “active” level. The default is active-high, meaning that a high voltage level (within 10% of the supply voltage) translates to an active input, and a low voltage level translates to an inactive signal. If this bit is set, the input is “active-low”, instead. For normally open circuits, leave this bit clear; for normally closed circuits make sure this bit is set.
RFU	#5...#0 (0x3F)	All other bits are reserved for future use and must be written as 0 and ignored when read.

7.7.5.2. InputActions Attribute

This attribute is an array (ZCL data type 0x48) of raw binary data (ZCL data type 0x41).

It is readable and writable and retains its value across reboots (persistent storage); when written, the elements must be of the same type “raw data” (0x41).

This attribute contains instructions, a kind of micro-code, which allow flexible reconfiguration of the commands sent in response to activity on the physical inputs.

The array elements take the following form:

Field	Data Type	Description
InputAndOptions	unsigned8	A four-bit input index in the LSBs and four option flags in the MSBs.
Transition	unsigned8	Specifies the level transition to which this particular instruction applies.
Endpoint	unsigned8	Each instruction must be assigned to a suitable source endpoint in the local device. Acceptable endpoints for S2(-R): Endpoints #3 and #4.
ClusterID	unsigned16	The 16-bit cluster ID that will be used to transmit the ZCL command payload, e.g. 0x0006 for the on/off cluster, 0x0008 for level control, etc.
CommandTemplate	raw data	A variable length ZCL command template, which will be sent from the source endpoint specified above, using the cluster ID specified above. This can be a simple off (0x00), on (0x01) or toggle (0x02) command, or more complex commands. There might be code in the device that modifies the command template according to intrinsic rules or option flag settings. Notice that this is the raw payload and does not include a leading length byte.

InputAndOptions

This field contains the physical input number in the lower four bits and indexes into the InputConfigurations array. For example, a value of 0 identifies the first physical input. All other bits are reserved for future use and must be written as 0, and ignored when read.

For S2/S2-R: This field may take the values 0 and 1.

Transition

The Transition field specifies when (i.e. under which conditions/circumstances) this particular instruction shall be executed.

Field	Bit(s)	Description
HasAlternate	#7 (0x80)	When this bit is set, there is another instruction that shall be executed in alternating order with the current one, each time the other conditions are met. In this case two entries must exist, one with the Alternate bit clear, and one with the Alternate bit set.
Alternate	#6 (0x40)	If this bit is set, this is the alternate instruction of a pair of two instructions which are executed in alternating order. If this flag is set, "HasAlternate" must be set as well.
RFU	#5...#4 (0x30)	These bits are reserved for future use and must be written as 0 and ignored when read.
Initial State	#3...#2 (0x0C)	These bits indicate the initial state of the input: 00b: Ignore: Don't care 01b: Pressed: The input was initially active (for less than a second) 10b: Kept pressed: The input has initially been active (for more than a second) 11b: Released. The input was initially inactive
Final State	#1...#0 (0x03)	These bits indicate the final state of the input: 00b: Ignore: Don't care 01b: Pressed: The input is active (for less than a second) 10b: Kept pressed: The input is still active (for more than a second) 11b: Released. The input is inactive

The "don't care" states are no real states, but rather placeholders for any other state. At any given time the input is either released, pressed or kept pressed.

Endpoint

Identifies the source endpoint that will be used in the outgoing ZCL command frame. Notice, that you should only use an endpoint, which hosts a cluster with the appropriate cluster ID and role (client vs. server).

ClusterID

Specifies the cluster ID that will be used in the outgoing ZCL command frame. The cluster ID must be

an “operational” cluster, according to ZCL definitions.

CommandTemplate

This is the template of a ZCL command frame payload, which will be sent to the target device once the instruction is selected for execution by the universal input logic unique to ubisys ZigBee devices. This can be a simple toggle command, or a more complex move or recall scene command, for example.

Notice that S2 and S2-R will use their binding tables to determine the target for the command. The command may be sent to one or more targets, each being a group (specified as a group address) or a single application instance (specified as IEEE EUI-64 address and endpoint number).

Examples

This is the complete default configuration for S2/S2-R, which is aimed at push-buttons (momentary, one stable position):

```
41          element type: 0x41 (raw data)
02 00          element count: 0x0002 (2 entries)

06          element #1: six bytes
00          InputAndOptions: 0x00
0D          Transition: released -> pressed
03          Source: Endpoint #3 (hosts primary on/off client cluster on S2)
06 00          Cluster ID: 0x0006 - on/off
02          ZCL Command Template: Toggle

06          element #2: six bytes
01          InputAndOptions: 0x01
0D          Transition: released -> pressed
04          Source: Endpoint #4 (hosts secondary on/off client cluster on S2)
06 00          Cluster ID: 0x0006 - on/off
02          ZCL Command Template: Toggle
```

The ubisys Smart Home app for iOS and Android recognizes and generates a certain set of instructions, and lets users pick those easily. You may request an up-to-date list of optimized instructions by mailing support@ubisys.de and asking for these recommended instructions for typical use cases. Avoid using other instructions.

7.8. Application Endpoint #242 – ZigBee Green Power

This endpoint provides the ZigBee Green Power feature according to the 2015 edition of the specification, i.e. including support for Green Power Devices with IEEE EUI-64 and bidirectional commissioning. The ZigBee traffic between Proxies and Sinks utilizes standard ZigBee foundation paradigms and the ZigBee Cluster Library [R4]. You may use the standard ZCL frames to enumerate, read and write attributes, invoke commands, etc.

The application endpoint exposes the following clusters:

Cluster	Direction	Description
0x0021	Inbound (Server)	ZigBee Green Power Sink Allows pairing the dimmer with ZigBee Green Power switches. The sink can directly receive Green Power frames but can also utilize proxies in the network.
0x0021	Outbound (Client)	ZigBee Green Power Proxy Allows sinks on the network to configure this device as a “Proxy”, i.e. access point for ZigBee Green Power Devices into the ZigBee mesh network.

7.8.1. Green Power Cluster (Server)

The server-side of the Green Power cluster provides the ZigBee Green Power Sink functionality, i.e. provides the ability to process Green Power frames. The device can receive those frames directly if they are in radio range; or it can process frames tunnelled over the ZigBee network via other Green Power Proxies. This implementation supports unidirectional and bidirectional¹⁸ GPDs.

Attributes supported:

Attribute	Type	Description
0x0000	unsigned8, read-only	gpsMaxSinkTableEntries The number of sink table entries supported by this device
0x0001	extended raw binary, read-only, persistent	SinkTable Entries in the sink table create a pairing between the sink and a Green Power Device. For an operational pairing, one or more entries in the translation table are also required
0x0002	bitmap8	gpsCommunicationMode Determines the default communication mode between sink and proxies for new entries added by the sink to the sink table when paired with a GPD
0x0003	bitmap8	gpsCommissioningExitMode Specifies under which circumstances the sink should leave commissioning mode
0x0004	unsigned16	gpsCommissioningWindow Time, in seconds, before a commissioning session expires
0x0005	bitmap8, persistent	gpsSecurityLevel Determines the minimum security level a GPD is required to support as well as whether or not the Trust Center needs to be involved into the commissioning process
0x0006	bitmap24, read-only	gpsFunctionality Indicates Green Power features and building blocks supported by this device
0x0007	bitmap24, read-only	gpsActiveFunctionality Allows to disable certain Green Power features on this device
0x0020	bitmap8, persistent	gpSharedSecurityKeyType Determines the security key type to use for devices with bidirectional commissioning capabilities, i.e. out-of-the-box individual key, shared GP key, etc.

¹⁸ Bidirectional communication is currently limited to the commissioning stage

0x0021	key128, persistent	gpSharedSecurityKey The 128-bit AES-CCM* key that is being used to secure Green Power data frames
0x0022	key128, persistent	gpLinkKey The 128-bit AES-CCM* key that is being used to deliver keying material to Green Power devices

Cluster commands supported:

Command	Description
0x00	GP Notification Tunnels GP frames from a Green Power Device to one or more sinks or groups of sinks
0x04	GP Commissioning Notification Tunnels GP frames from a Green Power Device to a sink in commissioning mode
0x05	GP Sink Commissioning Mode Makes the sink enter or leave commissioning mode for a particular endpoint or all endpoints
0x09	GP Pairing Configuration Creates, updates or removes pairings by modifying the sink and translation table entries accordingly
0x0A	GP Sink Table Request Allows to query the sink table for a certain Green Power Device or read out the table in chunks

Cluster commands transmitted:

Command	Description
0x01	GP Pairing Creates, updates or removes proxy table entries
0x02	GP Proxy Commissioning Mode Makes the proxy enter commissioning mode for a particular sink, or leave commissioning mode
0x06	GP Response Tunnels GP data frames from a sink to a bidirectional Green Power Device
0x0A	GP Sink Table Response Conveys a set of sink table entries to a management application

7.8.2. Green Power Cluster (Client)

The client-side of the Green Power cluster provides the ZigBee Green Power Proxy functionality, i.e. makes the device act as an “access point” for Green Power Devices (GPDs). This implementation supports unidirectional and bidirectional¹⁹ GPDs.

Attributes supported:

Attribute	Type	Description
0x0010	unsigned8, read-only	gppMaxProxyTableEntries The number of proxy table entries supported by this device
0x0011	extended raw binary, read-only, persistent	ProxyTable Entries in the proxy table create a link between Green Power Devices and Green Power Sinks
0x0016	bitmap24, read-only	gppFunctionality Indicates Green Power features and building blocks supported by this device
0x0017	bitmap24, read-only	gppActiveFunctionality Allows to disable certain Green Power features on this device

¹⁹ Bidirectional communication is currently limited to the commissioning stage

0x0020	bitmap8, persistent	gpSharedSecurityKeyType Determines the security key type to use for devices with bidirectional commissioning capabilities, i.e. out-of-the-box individual key, shared GP key, etc.
0x0021	key128, persistent	gpSharedSecurityKey The 128-bit AES-CCM* key that is being used to secure Green Power data frames
0x0022	key128, persistent	gpLinkKey The 128-bit AES-CCM* key that is being used to deliver keying material to Green Power devices

Cluster commands supported:

Command	Description
0x01	GP Pairing Creates, updates or removes proxy table entries
0x02	GP Proxy Commissioning Mode Makes the proxy enter commissioning mode for a particular sink, or leave commissioning mode
0x06	GP Response Tunnels GP data frames from a sink to a bidirectional Green Power Device
0x0B	GP Proxy Table Request Allows to query the proxy table for a certain Green Power Device or read out the table in chunks

Cluster commands transmitted:

Command	Description
0x00	GP Notification Tunnels GP frames from a Green Power Device to one or more sinks or groups of sinks
0x04	GP Commissioning Notification Tunnels GP frames from a Green Power Device to a sink in commissioning mode
0x0B	GP Proxy Table Response Conveys a set of proxy table entries to a sink or management application

8. Physical Dimensions

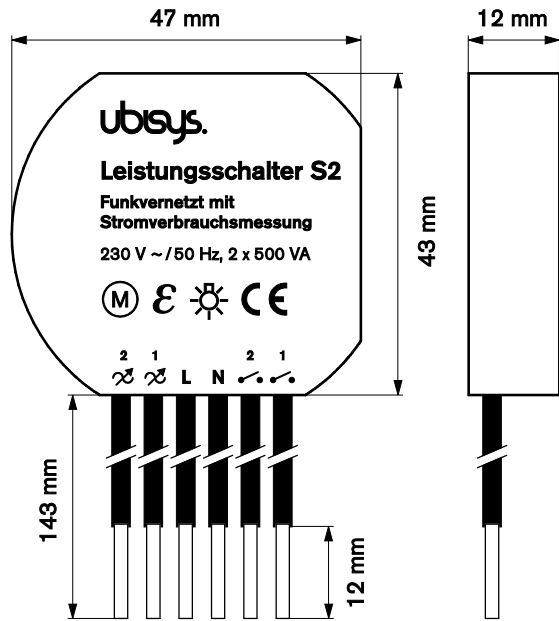


Figure 1: Flush-mount In-wall ZigBee Dual Power Switch S2 – Dimensions

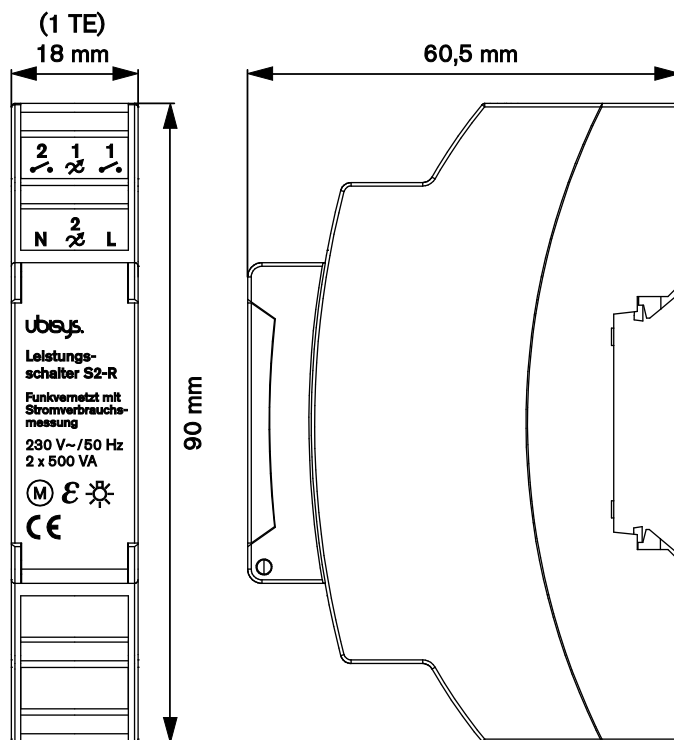


Figure 2: Rail-mount ZigBee Dual Power Switch S2-R – Dimensions

9. Ordering Information

The following tables list the product variants available. Use the specified order code for your orders. Please contact ubisys support if you require any customization.

Order Code	Description
1069	ZigBee Dual Power Switch S2 (in-wall, flush-mount)
1168	ZigBee Dual Power Switch S2-R (rail mount)

The housing is flame retardant (V-0), Color: Black, RAL 9005.

10. General Terms & Conditions of Business

When placing your order you agree to be bound by our General Terms & Conditions of Business, “Allgemeine Geschäftsbedingungen”, which are available for download here:
<http://www.ubisys.de/en/smarthome/terms.html>



We – ubisys technologies GmbH, Am Wehrhahn 45, 40211 Düsseldorf, Germany – declare under our sole responsibility that the ubisys ZigBee Dual Power Switches S2 and S2-R with order codes as detailed in section 9 under the trade name “ubisys” to which this declaration relates are in conformity with the following directives and standards:

Directive/Standard	Description/Scope
2014/53/EU	Radio Equipment Directive (RED)
2004/108/EC	Electromagnetic Compatibility Directive (EMC)
2006/95/EC	Low Voltage Directive (LVD)
2002/96/EC	Waste Electrical and Electronic Equipment Directive (WEEE)
2002/95/EC	Restriction of Hazardous Substances Directive (RoHS)
EN 300 328	ERM; Wideband transmission systems; 2.4 GHz ISM band
EN 300 440	ERM; Radio equipment to be used in the 1 GHz to 40 GHz frequency range
EN 301 489	EMC
IEEE 802.15.4	IEEE Standard 802 – Part 15.4: Low-Rate Wireless Personal Area Networks (LR-WPANs)
ZigBee 3.0	ZigBee 2015 with Green Power

Düsseldorf, Germany

Place of issue

Dr.-Ing. Arasch Honarbacht

Full name of Authorized Signatory

Signature

April 28, 2016

Date of issue

Managing Director, Head of Research & Development

Title of Authorized Signatory

ubisys.
 UBISYS TECHNOLOGIES GMBH
 HARDWARE UND SOFTWARE DESIGN
 ENGINEERING UND CONSULTING
 AM WEHRHAHN 45
 40211 DÜSSELDORF
 info@ubisys.de
 www.ubisys.de

Seal

12. Revision History

Revision	Date	Remarks
1.0	11/25/2014	Initial Public Version
1.1	01/06/2015	Includes documentation of ZigBee Network Steering and Finding & Binding (“EZ-mode”), as well as information on scenes cluster client instances in firmware revisions 1.03 and above.
1.2	02/13/2015	Mentioned a few input configuration options in the feature overview.
1.3	08/12/2015	Improved network steering in firmware revision 1.04 (toggle permit joining) and shortcut to factory reset by 10-second extended press.
1.4	11/02/2015	Starting with firmware revision 1.05, when the device is factory reset, it will broadcast a network leave indication
1.5	11/11/2015	Updated the ZDO description to include enhancements and additions made for ZigBee 2015 platform compliance
1.6	11/19/2015	Enhancements made in firmware revision 1.06 include added support for ZigBee Green Power and further changes to align with ZigBee 3.0 requirements.
1.7	09/13/2016	Updated to ZigBee 3.0 Certified Product in application firmware 1.07; added information about the power-cycle sequence factory reset in application firmware 1.08. Corrected description of element data type for switch configuration (should have been 0x41 instead of 0x48).

13. Contact

UBISYS TECHNOLOGIES GMBH

AM WEHRHAHN 45
40211 DÜSSELDORF
GERMANY

T: +49 (211) 54 21 55 - 00

F: +49 (211) 54 21 55 - 99

www.ubisys.de

info@ubisys.de